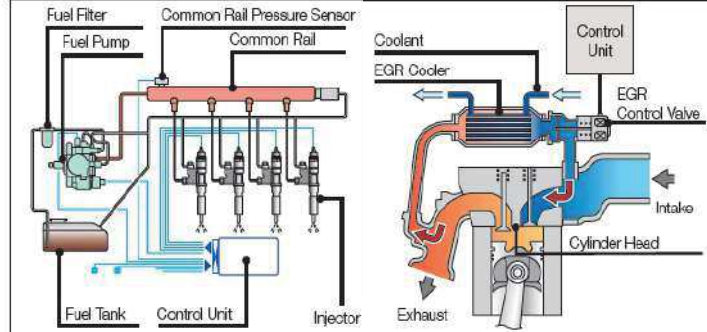


Kit CF 3B



High Performances with Less Fuel Consumption

The new performant hydraulic plants give more power to increase the productivity. The LOAD SENSING VALVE permits to feed the movements which are activated, adapting instantly to the oil flow, allowing a consumption reduction. The oil and filters change intervals have been extended, reducing maintenance time and expenses. The engine control unit drives the fuel pump at an ultrahigh pressure to inject the fuel into the cylinders through a common rail device. The cooler EGR system mixes exhaust gasses with intake air for a re-combustion, lowering combustion temperature and reducing fuel consumption. The new engines comply with the US norms TIER 4 and the EU Euro 4.



Worldwide Service

Our technical support service provides quick access to factory expertise, while our commercial team is always on hand to provide fast and competitive quotes. Our service network covers over 25 countries all over the world.



Easy Maintenance

Routine maintenance is essential for keeping unscheduled downtime to an absolute minimum and ensuring the overall reliability of your machine, but it can be difficult finding the time to carry out regular checks on busy construction sites. The new bases has been designed with time-saving, conveniently accessible features that will make it easy for you to perform routine service and cleaning procedures, so you can get the machine back to work as quickly as possible.



Comfortably in control

The new cabs provided with air conditioning, radio-CD player, multifunction LCD monitor and an absorbing and eating seat, guarantee a comfortable position and ensures an excellent view of the working area. Through the multifunction monitor (optional) the operator can check all the machine parameters and can start the rear view by a camera. The cabs are also protected by new system Center Pillar Reinforced Structure. Our machines are provided with an electronic device which measures the drilling depth and can be equipped also with the mast automatic alignment device which improves the verticality of the pile.





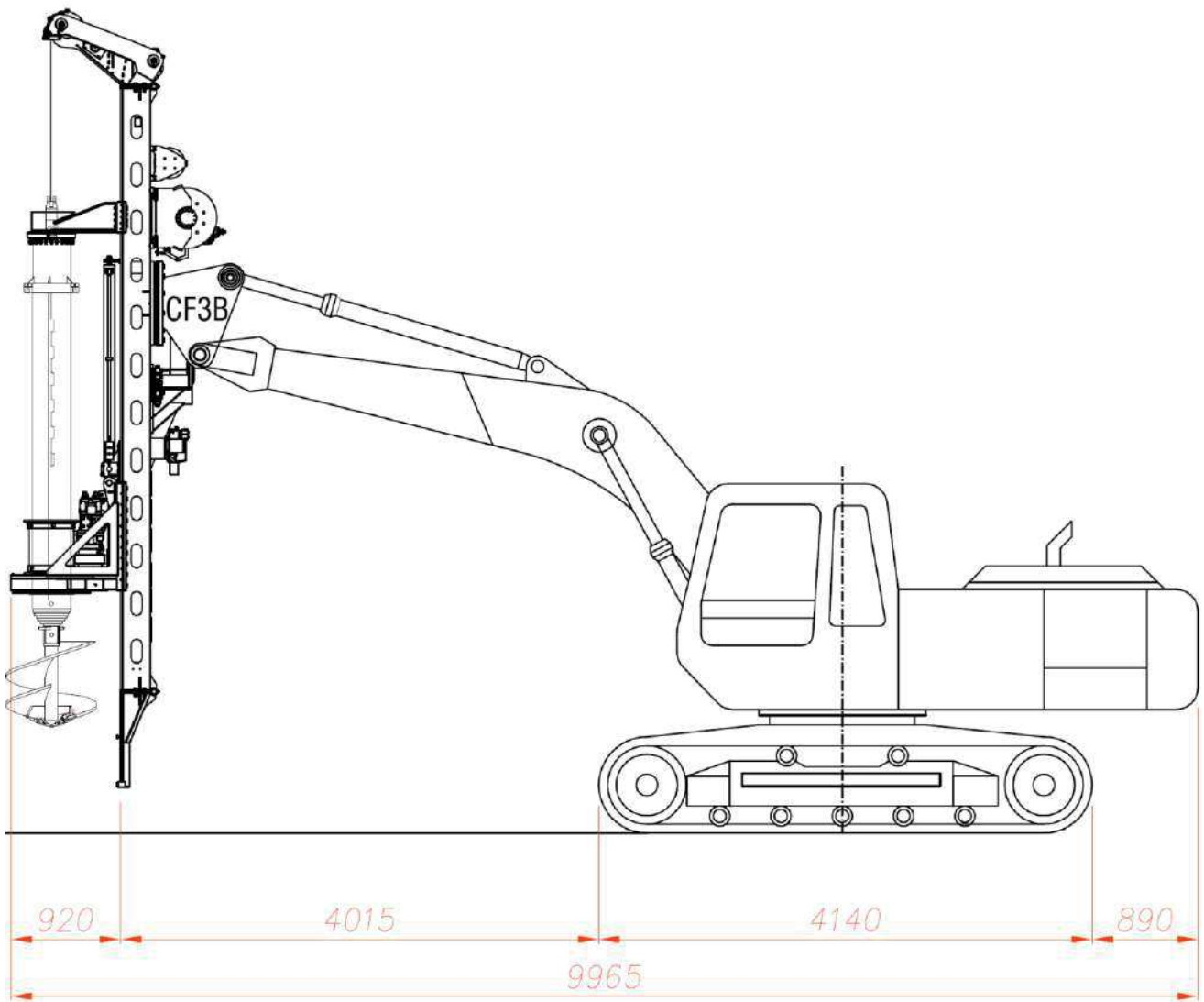
Base		Base			
Tipo	Type	Monoboom crawler excavators			
Classe di peso	Size class	from 21 ton upwards			
Portata minima richiesta	Min oil flow required	150	l/min	39,6	gpm
Pressione di lavoro	Working pressure	26	MPa	3.771	psi
Argani idraulici		Hydraulic winches			
Argano principale	Main winch line pull	4780	daN	10.746	lbs
Argano di servizio	Service winch line pull	900	daN	2.023	lbs
Testa di rotazione idraulica		Hydraulic rotary head			
Coppia	Torque	4000	daNm	29.502	ft lbs
Velocità di perforazione	Rotation speeds	15 - 30 - 60 rpm			
Velocità di scarico	Spin-off speed	60 rpm			
Corsa	Rotary head stroke	1500	mm	59,1	in
Tiro massimo pull-down	Max. extraction force	8000	daN	17.985	lbs
Spinta massima pull-down	Max. crowd force	13000	daN	29.225	lbs
Dimensioni di perforazione		Drilling dimensions			
Diametro minimo *	Min. diameter *	400	mm	15,7	in
Diametro massimo	Max. diameter	1200	mm	47,2	in
Diametro massimo (lavorando sotto il mast)	Max. diameter (working under the mast)	1500	mm	59,1	in
Profondità massima con escavatore da 21 ton	Max. Depth with 21 ton excavator	22	m	72,2	ft
Profondità massima con escavatore da 25 ton	Max. Depth with 25 ton excavator	28	m	91,9	ft
Dimensioni di trasporto (escluso escavatore)		Transport dimensions (without excavator)			
Altezza	Height	2137	mm	7,0	ft
Lunghezza	Length	6534	mm	21,4	ft
Larghezza	Width	1246	mm	4,1	ft
Peso (senza kelly bar)	Weight (without kelly bar)	3000	kg	6.614	lbs
Sistemi di sicurezza		Safety system			
Arresto fine corsa	Stroke limit system				
Inclinometro digitale	Electronic inclinometer				
Profondimetro digitale	Electronic deep gauge				

* Ø300 mm bloccando il 1° tubo esterno

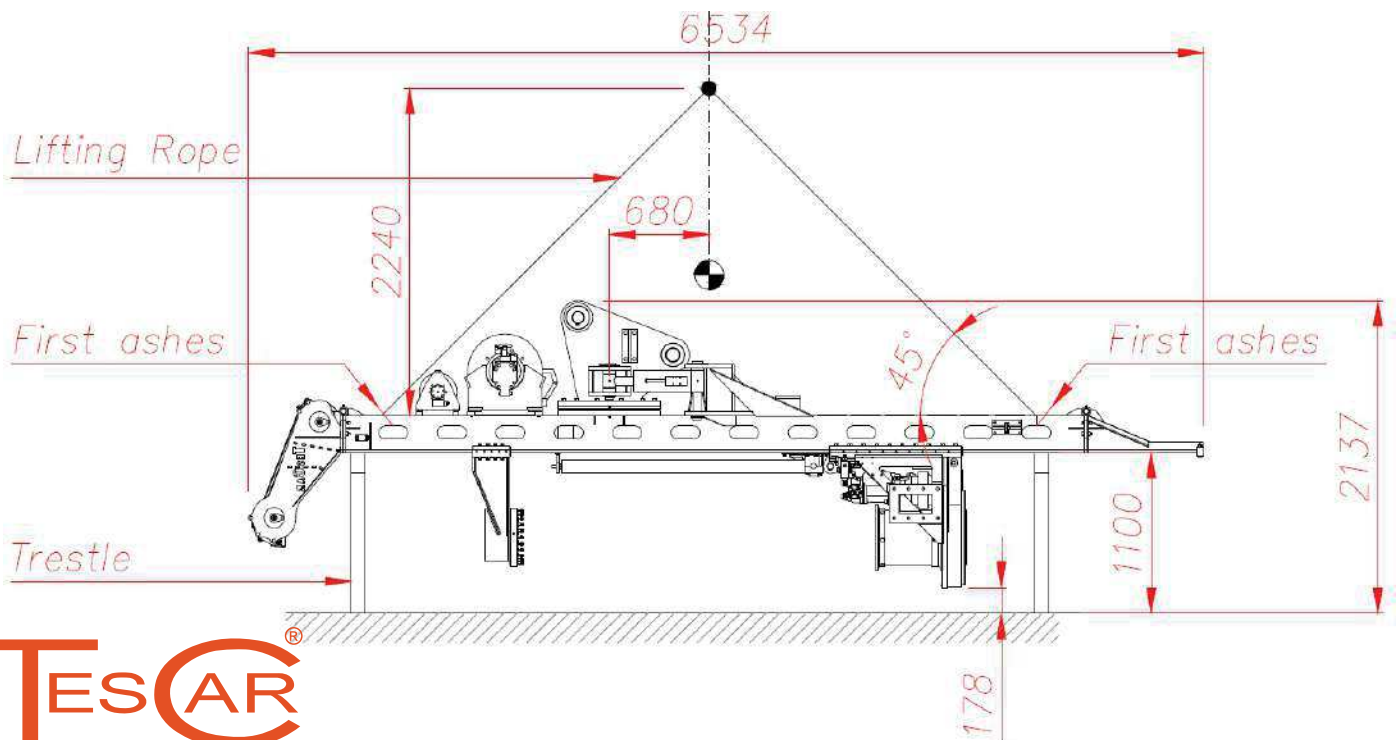
* Ø300 mm blocking the 1st outer bar

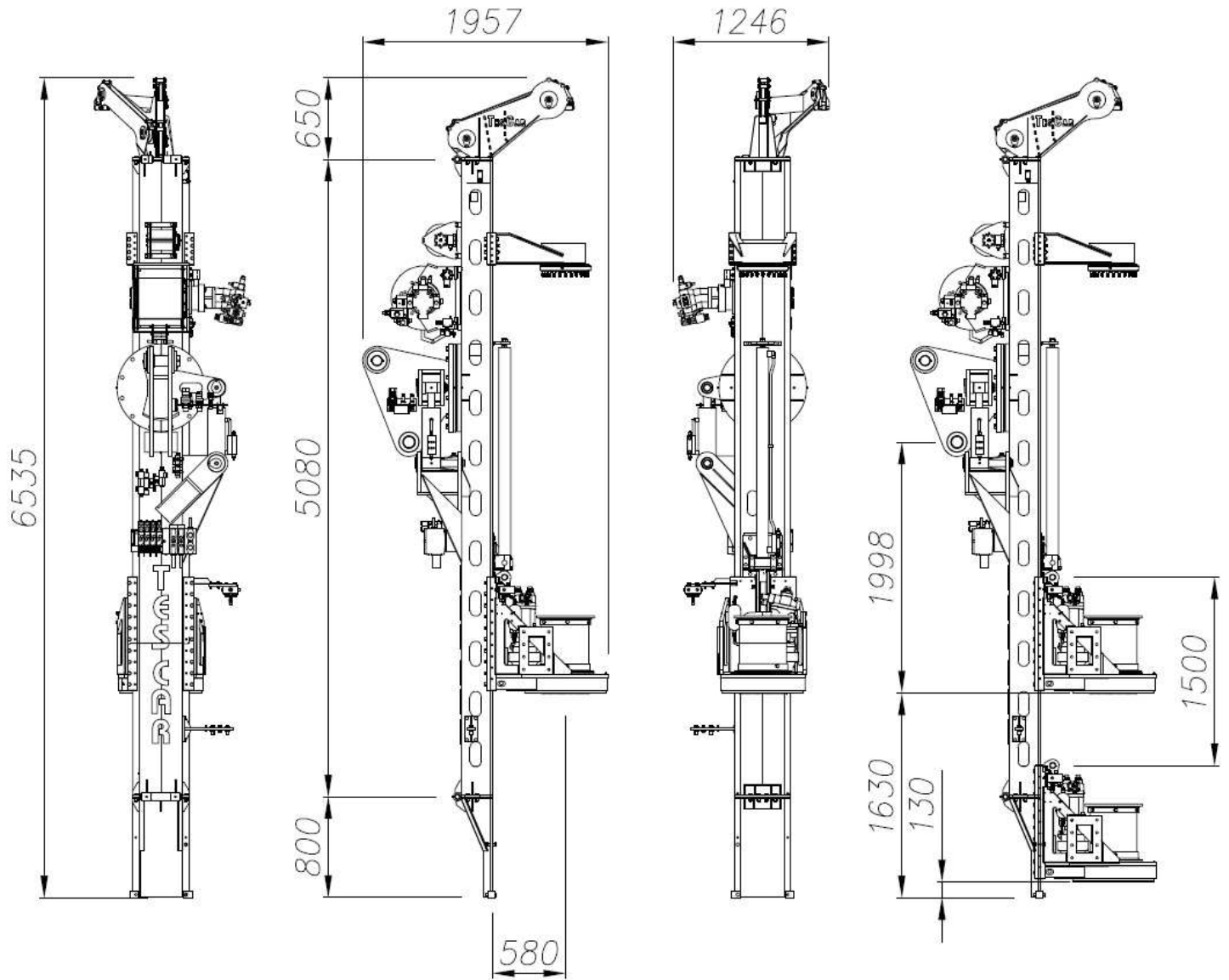
→ Il nuovo kit di perforazione CF3B può essere facilmente e velocemente assemblato su qualunque escavatore di classe uguale o superiore a 21 ton e può essere altrettanto facilmente e velocemente rimosso in modo da riconvertire la trivella a escavatore, permettendo al cliente di avere due modalità di lavoro con una sola macchina.

→ The new CF3B drilling kit can be easily and quickly assembled on a whatever excavator from 21 ton size upwards and it can be as much easily and quickly removed in order to switch the piling rig back to excavator, allowing the customer to have two working modes with just one machine.



Configurazione di trasporto del KIT / *Transport configuration for the kit*





Configurazione di trasporto / *Transport configuration*

